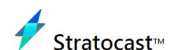


FD9167-HT-v2

Fixed Dome Network Camera

2MP 60fps • H.265 • SNV • WDR Pro • 50M IR • IP54

- 60 fps @ 1920x1080
- H.265 Compression Technology with Smart Stream III
- Installation-friendly Design
- Weather-proof IP54-rated Protection
- SNV (Supreme Night Visibility) for Low Light Conditions
- WDR Pro for Unparalleled Visibility in Extremely Bright and Dark Environments
- Built-in IR Illuminators up to 50M with Smart IR II
- Signed Firmware and Secure Boot
- AI-powered Smart Motion Detection and Smart VCA
- Cyber Protection via Trend Micro IoT Security





Technical Specifications

System Information

| | |
|-------|---------------------------------|
| Model | FD9167-HT-v2 |
| CPU | Multimedia SoC (System-on-Chip) |
| Flash | 8 GB |
| RAM | 1 GB |

Camera Features

| | |
|-------------------------------|---|
| Image Sensor | 1/2.8" Progressive CMOS |
| Max. Resolution | 1920x1080 (2MP) |
| Lens Type | Motorized, Vari-focal, Remote Focus |
| Focal Length | f = 2.7 ~ 13.5 mm |
| Aperture | F1.4 ~ F2.8 |
| Iris Type | P-iris |
| Field of View | 110° ~ 33° (Horizontal) 55° ~ 18° (Vertical) 126° ~ 37° (Diagonal) |
| Shutter Time | 1/5 sec. to 1/32,000 sec. |
| WDR Technology | WDR Pro |
| Day/Night | Yes |
| Removable IR-cut Filter | Yes |
| IR Illuminators | Built-in IR illuminators, effective up to 50 meters with Smart IR II, IR LED*4 |
| Minimum Illumination | 0.035 lux @ F1.4 (Color) <0.005 lux @ F1.4 (B/W) 0 lux with IR illumination on |
| Pan Range | ±175° |
| Tilt Range | 80° |
| Rotation Range | ±175° |
| Pan/Tilt/Zoom Functionalities | ePTZ: 48x digital zoom (4x on IE plug-in, 12x built-in) |
| Storage | Seamless Recording to MicroSD/SDHC/SDXC card slot and recording to network-attached storage (NAS) |
| Built-in Installation Aids | Remote focus, remote zoom, Micro USB* *Requires Wi-Fi dongle and Micro B converter |

Video

| | |
|--------------------|--|
| Video Compression | H.265, H.264, MJPEG |
| Maximum Frame Rate | 60 fps @ 1920x1080 |
| Maximum Streams | 3 video streams (Up to 8 configurable profiles) |
| S/N Ratio | 53 dB |
| Dynamic Range | 120 dB |
| Video Streaming | Adjustable resolution, quality and bit rate control, Smart Stream III |
| Image Settings | General settings: video title and time stamp overlay, video orientation (flip, mirror, rotation), day/night settings; Illuminators: illuminators, anti-overexposure; Image settings: white balance, image adjustment (brightness, contrast, saturation, sharpness, gamma curve), defog, 3DNR, EIS, scene mode (auto, deblur); Exposure: BLC, HLC, exposure control (exposure level, iris adjustment, exposure time, gain control, iris mode), AE speed adjustment, WDR; Focus: zoom, focus; Privacy mask; Scheduled profile settings |

Audio

| | |
|-------------------|--|
| Audio Capability | Two-way audio (Full duplex) |
| Audio Compression | G.711, G.726 |
| Audio Interface | Built-in microphone External microphone input External line output |
| Effective Range | 5 meters |

Network



| | |
|-----------|--|
| Users | Live viewing for up to 10 clients |
| Security | Access list, digest authentication, HTTPS , IEEE 802.1x, password protection, secure boot, signed firmware, Trend Micro IoT Security (brute force attack event, cyberattack event, quarantine event), user access log, user account management |
| Protocols | 802.1X, ARP, Bonjour, CIFS/SMB, DDNS, DHCP, DNS, FTP/SFTP, HTTP/HTTPS, ICMP, IGMPv3, IPv4, IPv6, NTP, PPPoE, QoS (CoS/DSCP), RTSP/RTP/RTCP, SMTP, SNMP, SSL, TCP/IP, TLS 1.2, UDP, UPnP |
| Interface | 10 Base-T/100 Base-TX Ethernet (RJ-45) *It is highly recommended to use standard CAT5e & CAT6 cables which are compliant with the 3P/ETL standard. |
| ONVIF | Profile G, S, T supported, specification available at www.onvif.org |

Solution Integration

| | |
|------------------------|---|
| Smart Motion Detection | Five-window video motion detection, people detection, vehicle detection, time filter |
| Smart VCA | Including intrusion detection, loitering detection, line crossing detection, unattended object detection, missing object detection, face detection, crowd detection, running detection *Please access https://license.vivotek.com/ to get the free trial license. |
| VADP Package | Deep Learning VCA (Smart Motion Detection, Smart VCA*, Parking Violation Detection*, Restricted Zone Detection*), Stratocast, Trend Micro IoT Security (3-year free trial) *License required. Please access https://license.vivotek.com/ for free trial license. |

Alarm and Event

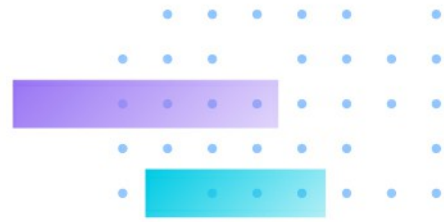
| | |
|---------------|---|
| Event Trigger | Audio detection, camera tampering detection, cybersecurity events (brute force attack event, cyberattack event, quarantine event), digital input, manual trigger, motion detection, periodical trigger, recording notification, SD card life expectancy, shock detection, system boot |
| Event Action | Event notification via audio clip, camera link, digital output, email, HTTP, FTP/SFTP, NAS server, SD card File upload via email, HTTP, FTP/SFTP, NAS server, SD card |

General

| | |
|-----------------------|--|
| Connectors | Default I/O RJ-45 cable connector for 10/100 Mbps PoE network connection Audio line input Audio line output DC 12V power input Digital input Digital output Micro USB Module I/O* Digital input Digital output AC 24V power input *Requires extension I/O module kit |
| LED Indicator | System power and status indicator |
| Power Input | AC 24V*, DC 12V, IEEE 802.3af PoE Class 0 (Power Redundancy) *Requires extension I/O module kit |
| Power Consumption | PoE: Max. 9/6 W (IR on/off) DC 12V: Max. 9/6 W (IR on/off) AC 24V*: Max. 9/6 W (IR on/off) *Requires extension I/O module kit |
| Dimensions | ø 173.6 x 122.6 mm |
| Weight | 990 g |
| Certifications | EMC: CE (EN 55032 Class B, EN 55035, EN 50121-4), FCC (FCC Part 15 Subpart B Class B), RCM (AS/NZS CISPR 32 Class B), VCCI (VCCI-CISPR 32 Class B); Safety: UL (UL 62368-1), CB (IEC/EN 62368-1, IEC/EN 60950-22, IEC/EN 62471); Environment: IP54 (IEC 60529); IA: BIS (IS 13252), BSMI (EMC: CNS 13438, Safety: CNS 14336-1) |
| Operating Temperature | Starting Temperature: 0°C ~ 50°C (32°F ~ 122°F) Working Temperature: -10°C ~ 50°C (14°F ~ 122°F) (IR off) -10°C ~ 45°C (14°F ~ 113°F) (IR on) |
| Humidity | 90% RH (non-condensing) |
| Warranty | 36 months |

System Requirements

| | |
|------------------|---|
| Operating System | Microsoft Windows 10/8/7 Mac 10.12 (Chrome only) |
| Web Browser | Chrome 58.0 or above Internet Explorer 10/11 |
| Other Players | VLC: 1.1.11 or above |

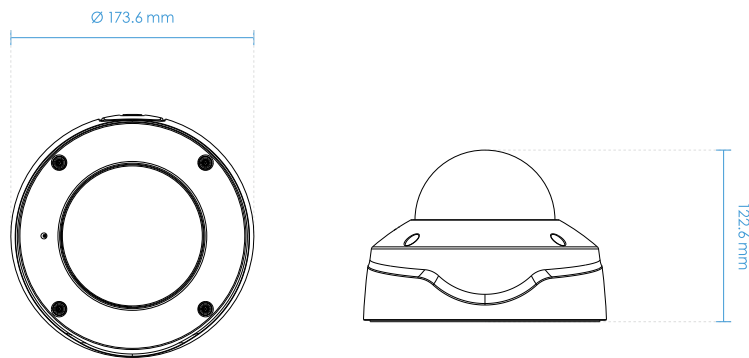


Included Accessories

Packing Contents

Quick installation guide, product labels, alignment sticker, L-shaped wrench, screw pack, waterproof accessory pack, conduit bracket, I/O cable

Dimensions



Compatible Accessories

Mounting Kits



AM-520 (v05)
Mounting Adapter
